

Flying Spaceship

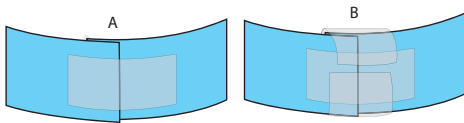
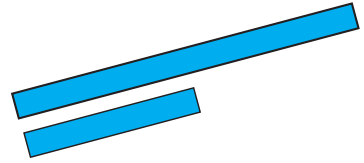
Card
4 straws

Scissors
Pencil

Sellotape

Cut a cardboard strip that is 2,5 x 24 cm (1 x 9,5 inches) in size.

Then, cut a second strip that is the same width, but only 12 cm (5 inches) long.



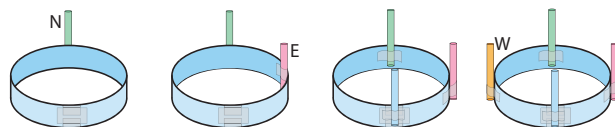
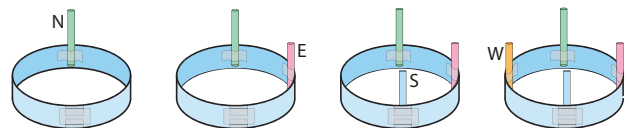
To make the strips into round loops, press a piece of sellotape onto one end of each strip. Overlap the ends, press down the sellotape (A).

To make the joins in the loops stronger, cut two longer pieces of sellotape. Wrap one piece around the join in each loop (B).

To make the sides of the spaceship, take four straight straws, all the same length.

Tape the end of one straw to the **inside** of the larger cardboard loop.

Do the same for all four straws spacing them equally (North, East, South and West).

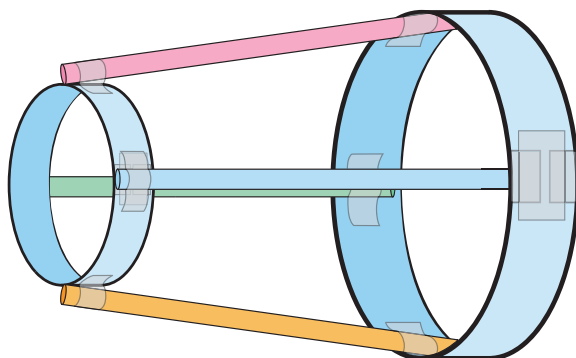
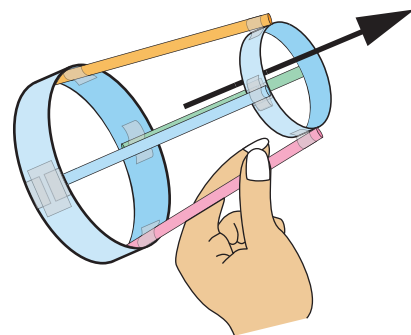


Tape the ends of the straws to the **outside** of the smaller loop.

Do the same for all four straws spacing them equally (North, South, East and West).

To make the spaceship fly, pick it up with the smaller loop facing forward.

Hold it by the straw at the bottom, then throw it hard.



The spaceship flies because it is light and cuts through the air.

Smooth, streamlined shapes allow air to flow around them easily.

Planes and cars are designed like this, the more streamlined they are, the faster they can go.